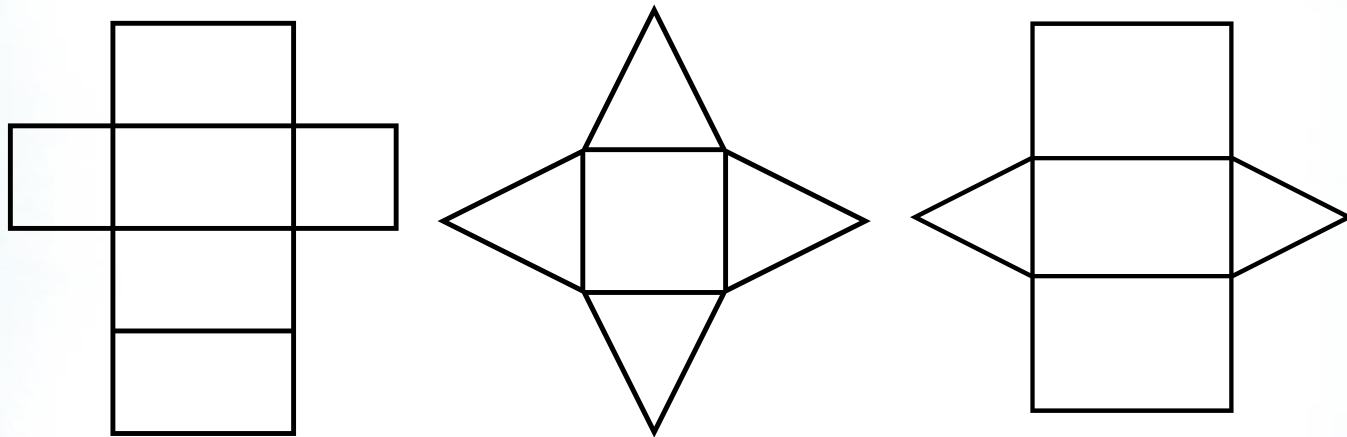


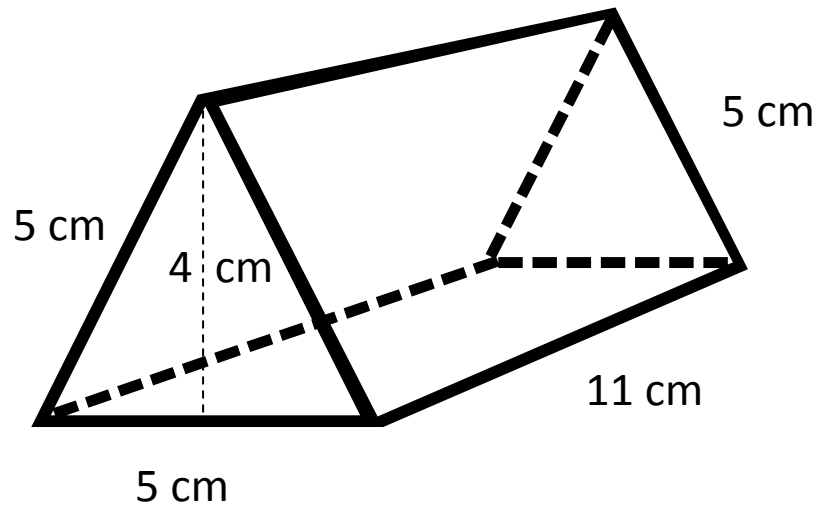
Surface Area of Rectangular & Triangular Prisms & Pyramids



This Power Point can be used as a presentation, or slides can be printed and used as task cards. If you choose to use it as task cards, a recording sheet is provided.

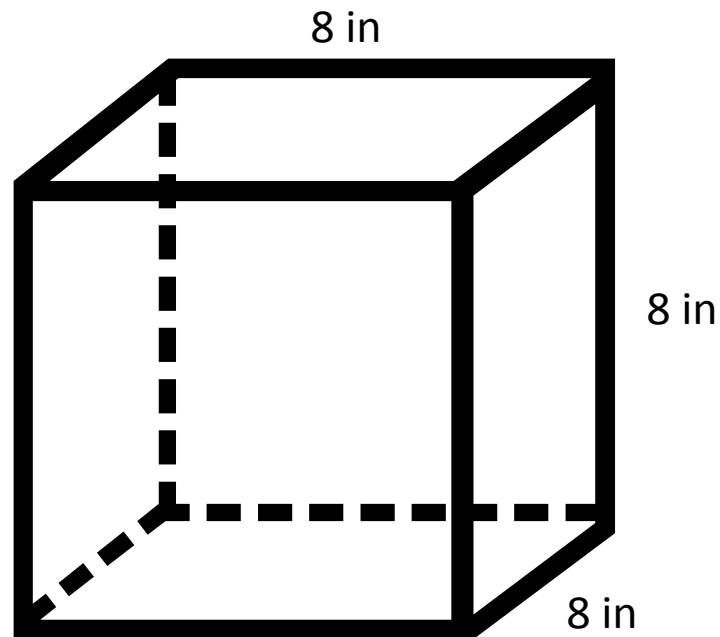
Draw the net.
Then find the surface area.

A



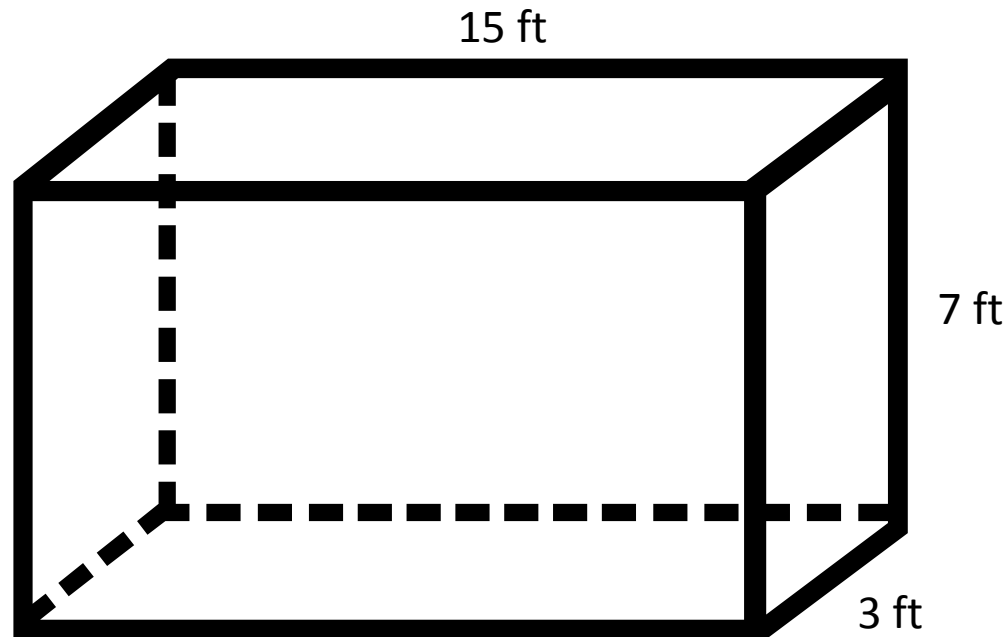
Draw the net.
Then find the surface area.

B



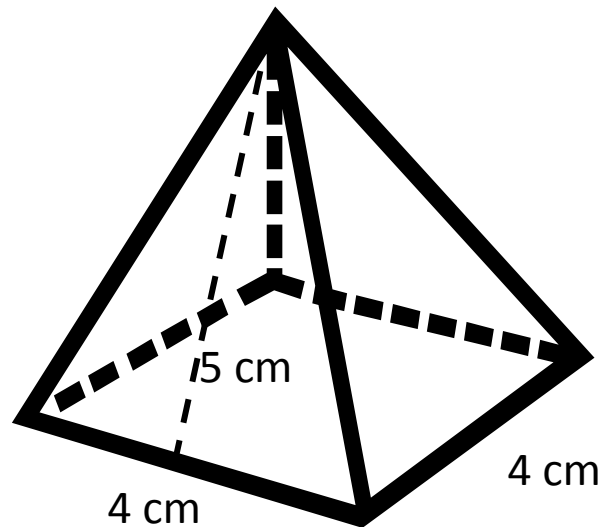
Draw the net.
Then find the surface area.

C



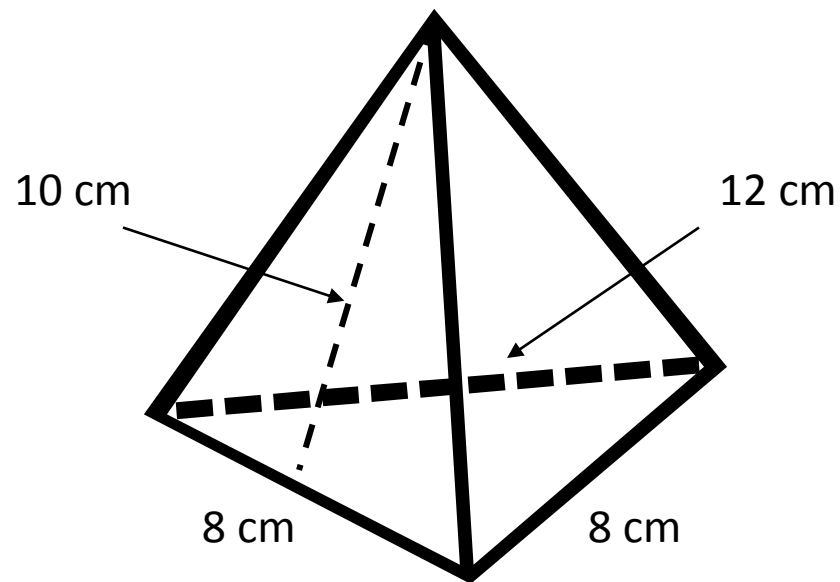
Draw the net.
Then find the surface area.

D



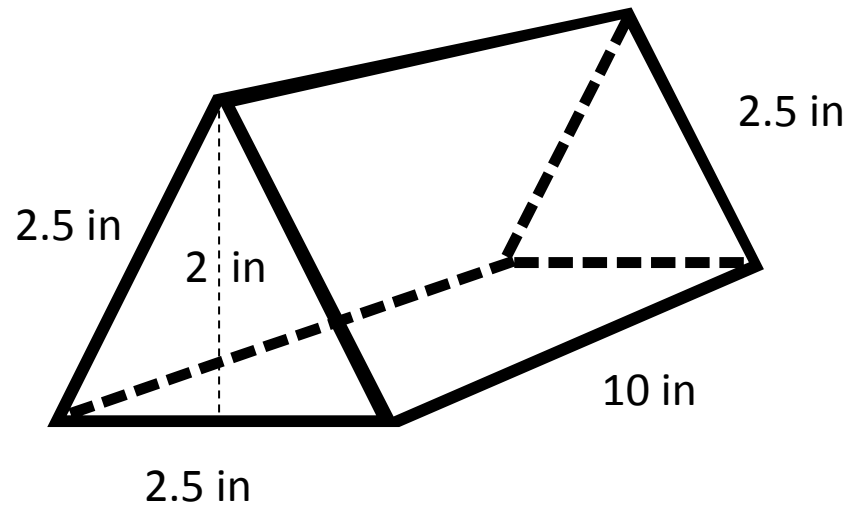
Draw the net.
Then find the surface area.

E



Draw the net.
Then find the surface area.

F



Task Cards Recording Sheet

Task	Net	Total Surface Area
------	-----	--------------------

A		
---	--	--

B		
---	--	--

C		
---	--	--

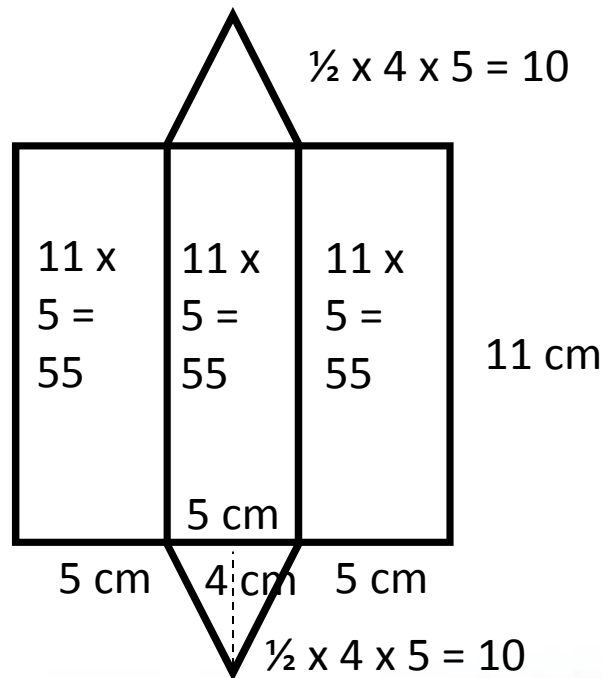
D		
---	--	--

E		
---	--	--

F		
---	--	--

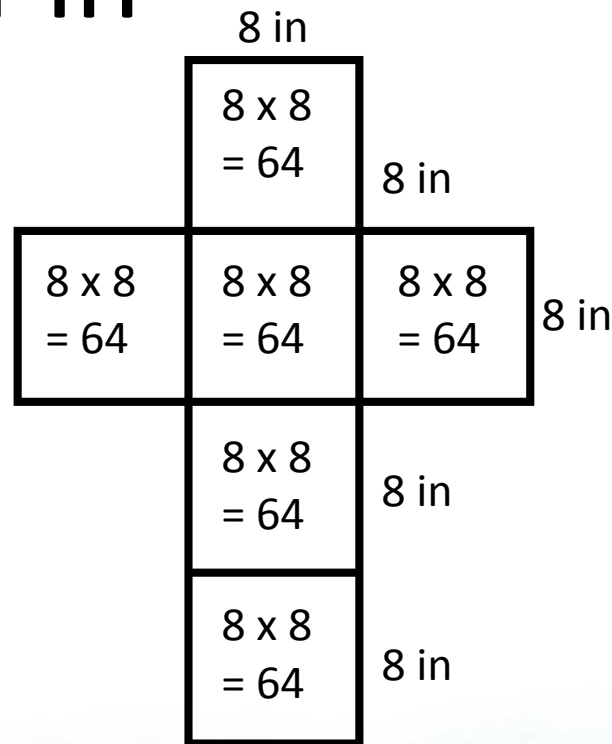
Draw the net.
Then find the surface area.

A 185 cm^2



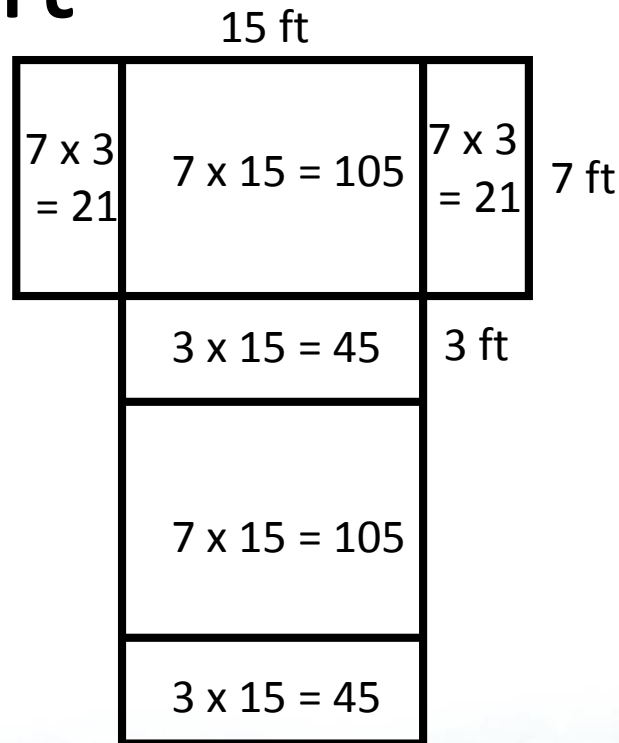
Draw the net.
Then find the surface area.

B 384 in^2



Draw the net.
Then find the surface area.

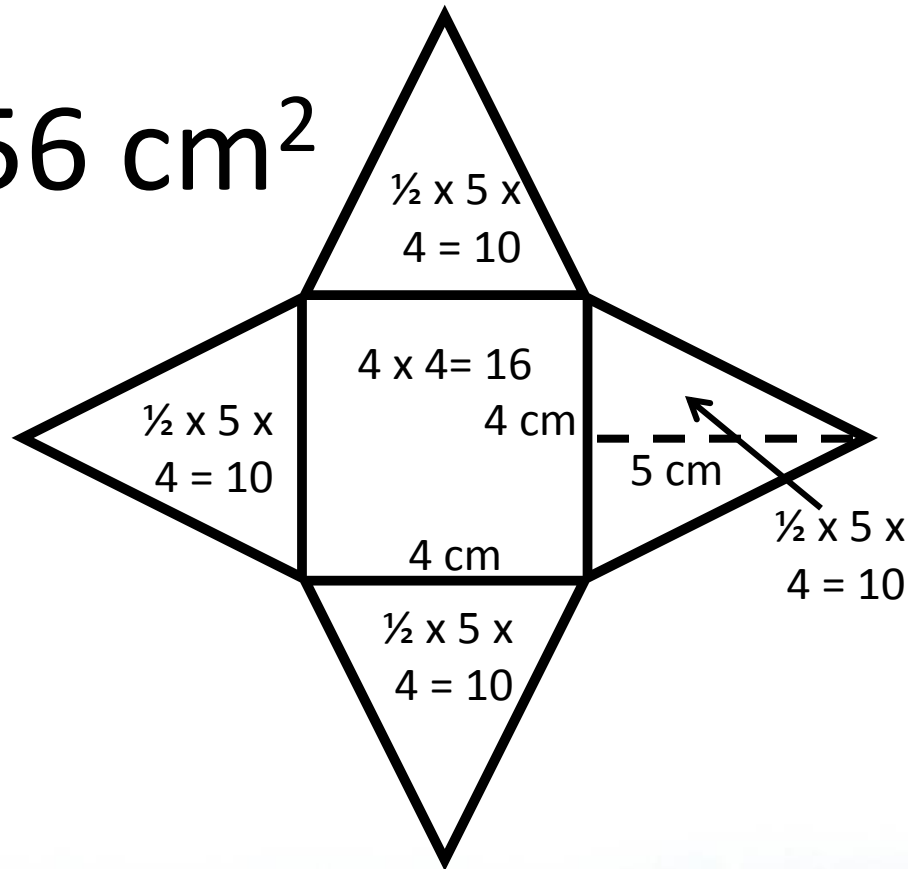
C 342 ft^2



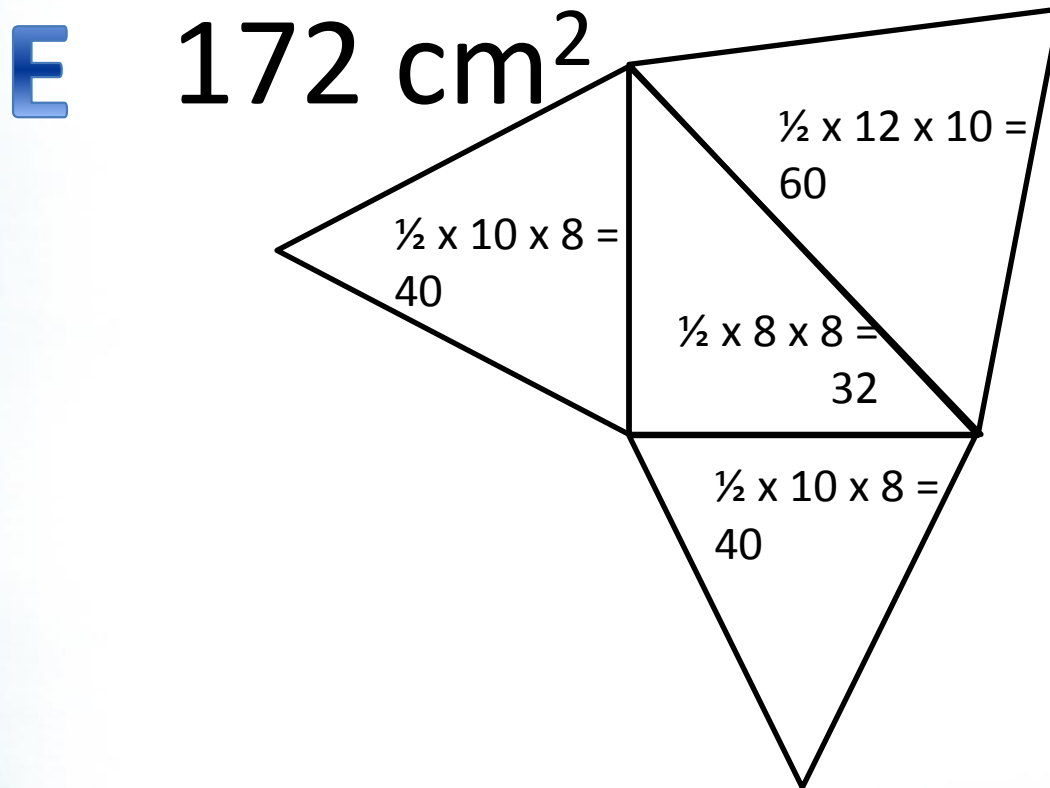
Draw the net.
Then find the surface area.

D

56 cm^2



Draw the net.
Then find the surface area.



Draw the net.
Then find the surface area.

F 80 in^2

